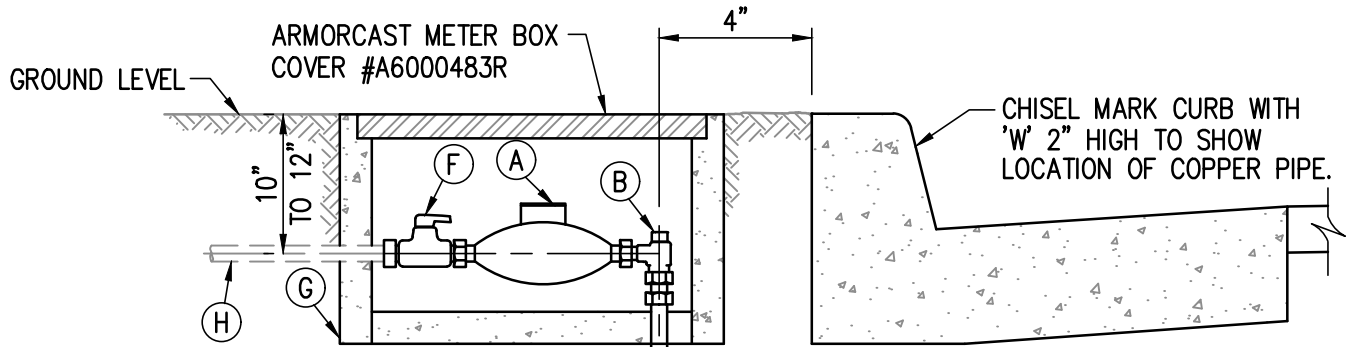


X:\2013\20131222.20 STANDARD FOR METERS\RUBIO5\_8IN COPPER SRVCRECONN.DWG (09-22-22 2:22:11PM)



**LIST OF FITTINGS**

- (A) MACH 10 ULTRASONIC, 5/8" METER
- (B) 5/8x1" ANGLE METER STOP, NO LEAD BRASS, METER x COMPRESSION FITTINGS FOR COPPER TUBE.
- (C) 1" COPPER PIPE, TYPE "K" SOFT
- (D) 1" CORPORATION STOP, NO LEAD BRASS, IPT x COMPRESSION FITTING FOR COPPER TUBE.
- (E) BRONZE SADDLE, DOUBLE STRAP.
- (F) 5/8" STRAIGHT BALL VALVE WITH TEFLON SEAT AND HANDLE, METER X IPT.
- (G) ARMORCAST METER BOX NO. A6000486.
- (H) CUSTOMER SERVICE LINE (BY OTHERS).

**NOTE:**

METER BOX TO BE FURNISHED BY CONTRACTOR.  
METER WILL BE FURNISHED BY RCLWA.

**5/8" COPPER SERVICE CONNECTION**

SCALE: NONE



118 West Lime Avenue  
Monrovia, CA 91016  
Phone: 626.357.0588  
Fax: 626.303.7957  
Web: www.civiltec.com  
Civil, Water, Wastewater, Drainage  
and Transportation Engineering  
Construction Management •  
Surveying  
California • Arizona



RUBIO CAÑON  
LAND AND WATER ASSOCIATION

STANDARD DETAIL